

cod.	mm.	pz/pcs	A	C	ØD	M	portata per coppia	cus. schermati	Barcode	CodTek
755NY.M	MEDIO	12	95	22	Ø40	M12	150 kg.	si	8033039312211	ARU075502NY



Sliding gates accessories



Galvanized steel/nylon components



- The capacity refers for a couple of trolleys.
- Component to use in combination with the track art. 920; to guarantee the capacity of the trolley, the track must be supported every 700 mm.
- Reinforce adequately the attack spots.



- Components to fix
- Adequately strengthen the areas anchoring the door and/or structure / frame.



Check the product every 6/12 months.  
In case of anomalies, prevent the usage of the hinge and the installed product must be checked by professional personnel.

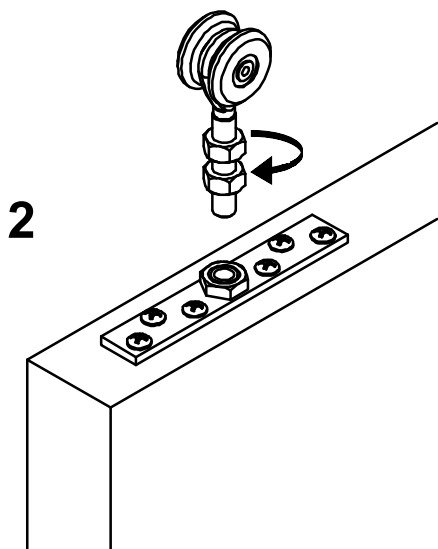
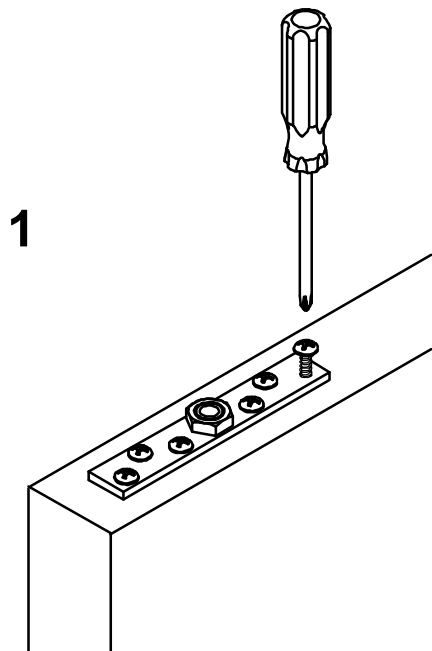


Responsibly dispose of the product and of its packaging respecting the local legislations of the Country of installation.

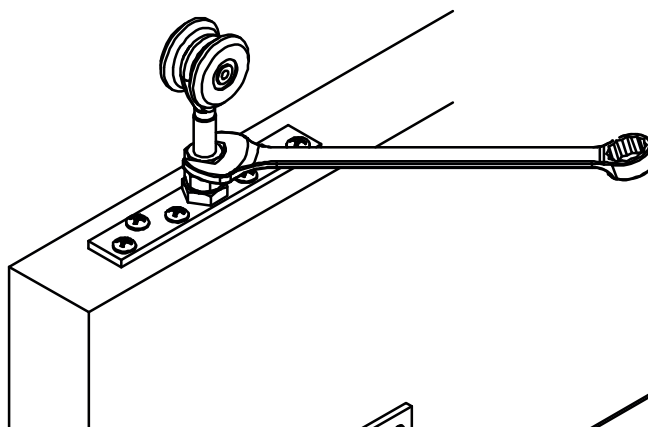
The company reserves the right to make technical as well as aesthetic changes without previous notice.

All responsibility due to an inappropriate use of the product is declined.

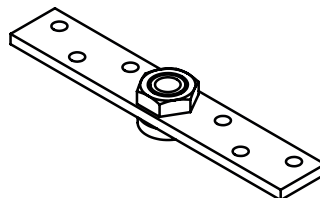
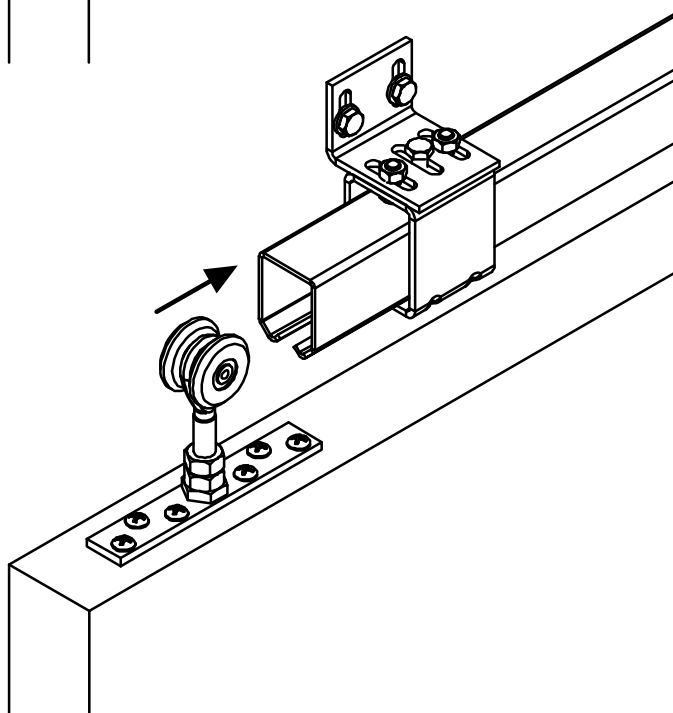
All drawings, photos, trademarks, logos, are of exclusive Combi Arialdo's property. All uses not expressly authorized by the company will be prosecuted.



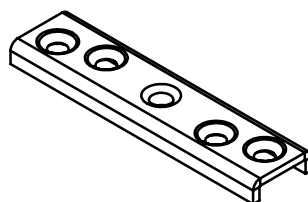
3



4



Art. 783



Art. 782