

cod.	mm.	pz/pcs	A	B	C	Paracolpi	D	E	viti	CodTek
396J.P	PICCOLO	2	67	67	3	1	45	49	M8	ARU039613ZB
396J.IM	INTERMEDIO	2	84	80	3	1	45	50	M8	ARU039614ZB
396J.M	MEDIO	2	98	98	3	2	50	50	M8	ARU039615ZB



Cantilever gates system



Galvanized steel/plastic components



• Insert the terminal at the end of the track art. 399 and 1399 and lock the screws



Check the product every 6/12 months.

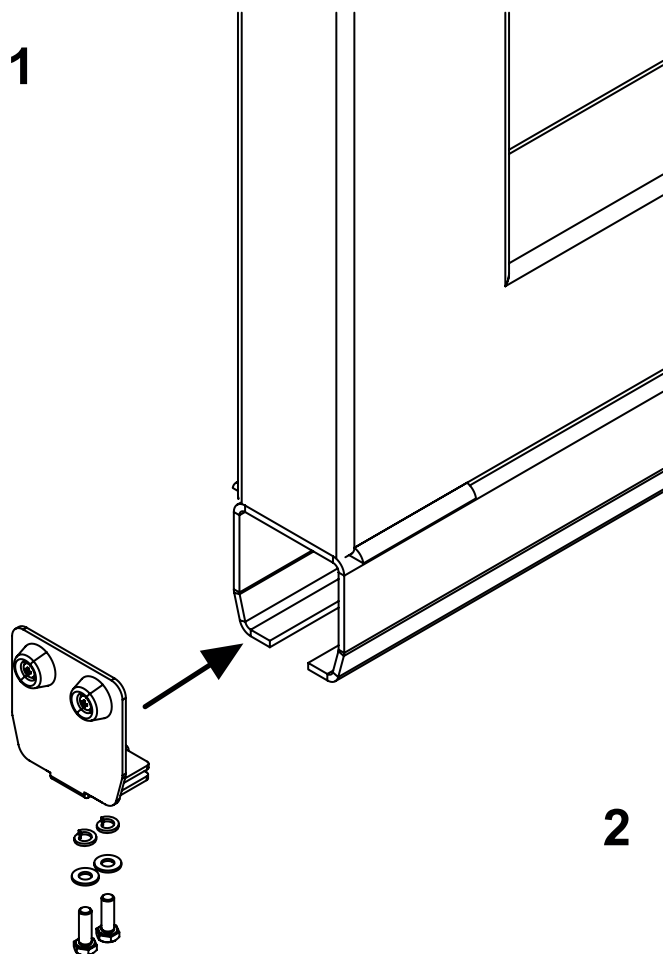
In case of anomalies, prevent the usage of the hinge and the installed product must be checked by professional personnel.



Responsibly dispose of the product and of its packaging respecting the local legislations of the Country of installation.

The company reserves the right to make technical as well as aesthetic changes without previous notice. All responsibility due to an inappropriate use of the product is declined.

All drawings, photos, trademarks, logos, are of exclusive Combi Arialdo's property. All uses not expressly authorized by the company will be prosecuted.



2

